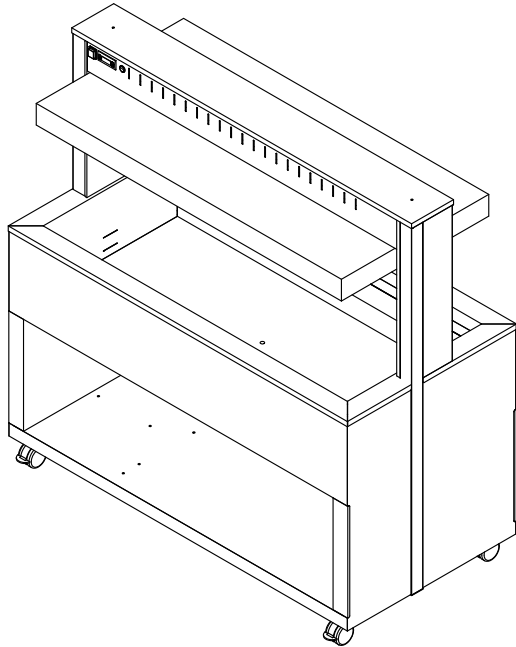


## Instruction manual

# ATHENA BM ATHENA PC ATHENA BM HALO ATHENA PC HALO



## Summary



1. Instruction warnings.....	2
2. Safety and Right Use Warnings.....	2
3. Warranty.....	2
3.1 Unpacking.....	2
4. Appliance Start Up.....	4
4.2 Technical Features .....	4
4.3 Use Suggestions.....	5
5. Cleaning and Maintenance .....	5
6. Optionals .....	6
7. Spare Parts .....	6
8. Wiring diagrams.....	8
9. Troubleshooting.....	9
10. Disposal.....	9

# 1. Instruction warnings

User has to hold the whole instructions. User must store up this document in case of use. The manufacturer is not responsible of any damage incurred due to the failure of improper use of this manual.

All measures in this manual are in mm.

## 2. Safety and Right Use Warnings



The Rocam Losi products meet the latest technological evolutions and current safety guidelines. Buffet line **ATHENA**, object of this booklet, is designed to be in compliance with directives and field laws, in order to guarantee a safe and reliable product.

Any other use will be considered inappropriate to the original destination. The producer is not responsible of any damage caused by an improper use. Responsibility lies only on user. A proper use also includes compliance with the instructions for use and installation and any additional documentation as well as the conditions of inspection and maintenance.

## 3. Warranty

We thank you for purchasing a Rocam Losi product, designed and produced for a professional environment. Due to commercial and construction requirements, the manufacturer reserves the right to make changes in order to enhance the quality and use of product. Rocam Losi s.r.l., in compliance with European Community legislation, grants its products for 12 months. This warranty does not include electrical parts, labour and all replacements related to an improper use of the good. Any manipulation carried out automatically excludes the liability of the manufacturer. The products or parts to be replaced or repaired for unequivocal defects in workmanship and materials used must be in a "free port" at the offices of the producer, who after a careful inspection, will repair or replace them. The repairs are carried out exclusively at the headquarters of the manufacturer, and none cost incurred by the customer for repairs will be refunded by the manufacturer unless explicitly agreed.

**ANY MANIPULATION AUTOMATICALLY EXCLUDES THE MANUFACTURER'S LIABILITY AND THE WARRANTY ON THIS PRODUCT.**

### 3.1 Unpacking



This item is packed and shipped assembled. The manufacturer declines every responsibility for damages of someone or something caused by the failure to comply with the instructions of this manual.

Do not make any structural change to the trolley.

The elements composing the trolley (plastic, polyurethane foam, bubble wrap, Styrofoam, cardboard and so on) must be kept away from children as potential sources of danger and must be collected and disposed off separately in accordance with local regulations.

The manufacturer declines every responsibility of damage of someone or something caused by the failure to comply with the instructions of this manual.

After the unpacking of the item from its packing, proceed by removing the adhesive plastic tape before starting up the product. Any residual glue has to be removed carefully (do not use abrasive cleaners).

The device is designed to run on AC to the voltage specified on the technical data plate (located on the bottom of the tank).

The grounding line is marked by the colours yellow/green and must not be interrupted.

The device is provided with a cable in accordance with the CE regulations and with a schuko plug (that can be replaced, when necessary, with a different plug, suitable for the specified wattage and in accordance to the current regulations and guidelines; when necessary, replace the provided cable with a new one with the same features).



### Before switching on the appliance

- Check if the electrical system can withstand the appliance's load (WATT as indicated on the technical plate)
- Make sure that the electrical system is provided with ground connection according to the current norms and guidelines.
- Connect the appliance with the ground network through a cable connected to the specific screw placed on the external casing of the appliance.

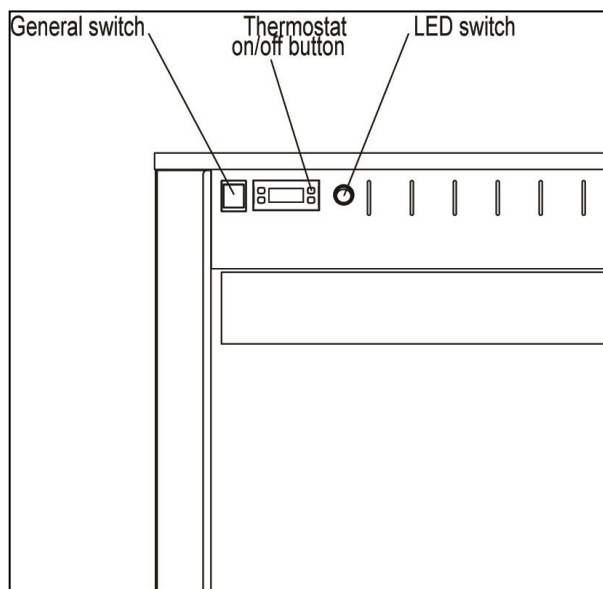
## 4. Appliance Start Up

Once ready to start the appliance, plug the device in the electrical system and press the red power switch placed on the upper part of the unit.

As you turn on the appliance the thermostat display will flash and then it will display "OFF". To start the unit press the on/off button on the electronic thermostat for 2 seconds, The starting temperature of the device will be displayed on the thermostat. The black switch on the right-hand side of the thermostat is the LED/HALO LAMPS on/off switch that works independently from the heating system.

Once started up, the appliance reaches the selected temperature in about 1.5 hour (depending by the starting temperature, the room temperature and the exposure of the buffet trolley).

The thermostat is set from the manufacturer on +90°C for a optimal use of the device. Use the attached instructions to change the settings of the digital thermostat.



**CAUTION!** Any change in the thermostat settings must be done on the temperature only. Any other parameter changes can affect and damage the operation of the compressor.

**PLEASE REFER TO THE ATTACHED INSTRUCTIONS**

### 4.2 Technical Features

	ATHENA BM / PC			ATHENA BM HALO / PC HALO		
	3 GN	4 GN	5 GN	3 GN	4 GN	5 GN
Power supply	230 V	230 V	230 V	230 V	230 V	230 V
Max rated output	2262 W	3016 W	3770 W	2850 W	3400 W	3700 W
Temperature Range	+30°/+90°C	+30°/+90°C	+30°/+90°C	+30°/+90°C	+30°/+90°C	+30°/+90°C
Range operating temperature	+30°/+90°C	+30°/+90°C	+30°/+90°C	+30°/+90°C	+30°/+90°C	+30°/+90°C
Well/top capacity	3 x GN 1/1	4 x GN 1/1	5 x GN 1/1	3 x GN 1/1	4 x GN 1/1	5 x GN 1/1
Pans height (mm))	210	210	210	210	210	210
Weight (Kg)	123	145	175	147	170	194

## 4.3 Use Suggestions



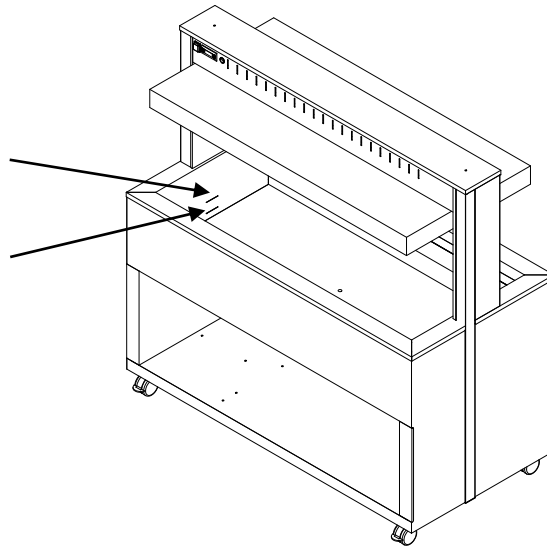
**ATHENA BM buffet trolley has been designed and created to work exclusively through the “bain-marie” system, therefore It shall never be turned on without water in the well.**

Gastronorm pans (with food) can be placed inside the general well in all the possible splits combinations. **Pay close attention to the contact between the water in large quantity and the wooden parts to avoid blisterings and scrapings of the same.**

The final customer must regularly check the food temperature and, if necessary, has to change the keeping temperature according to the requirements.

*“MAX” water level mark with GN pans height 150mm*

*“MAX” water level mark with GN pans height 200mm*



**Before switching on, fill the well with a moderate amount of water and, in any case, do NEVER exceed with water in the well (see max water level marked on the well’s side).**

## 5. Cleaning and Maintenance

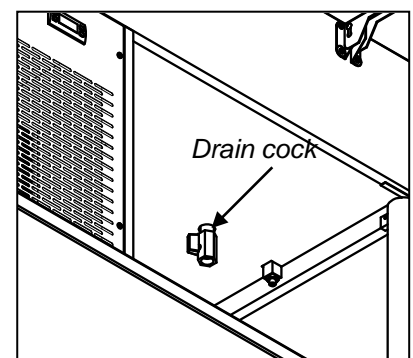


**WARNING:**

**Before any cleaning operation unplug the device from the electrical system. Never wash the appliance with water jets in order to prevent water seepage inside the electrical components.**

Clean the appliance at the end of the service.

On Bain Marie (BM) models the well has to be emptied through the drain cock (see image on the right). Place a bucket under the drain cock and turn the lever, make sure it is closed once the tank will be empty. Once the well will be empty, it is recommended to dry it up with a cloth or a sponge. On Hot shelf models (PC) clean the temperate glass top with a soft cloth and with glass-suitable products. The laminate parts can be cleaned with a damp cloth- In case of stubborn stains, use a damp cloth with some alcohol, do never use corrosive or abrasive detergents.

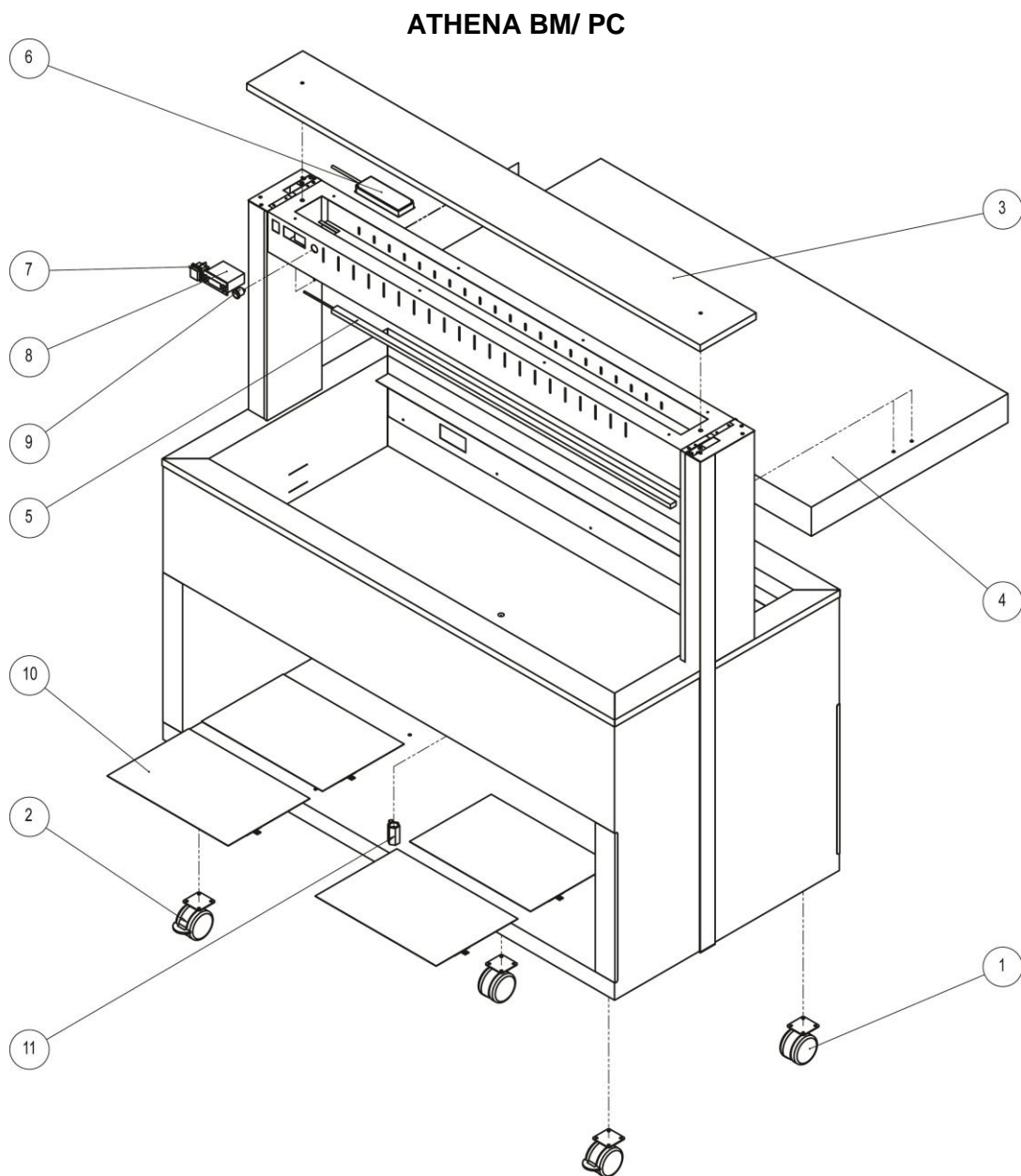


## 6. Optionals

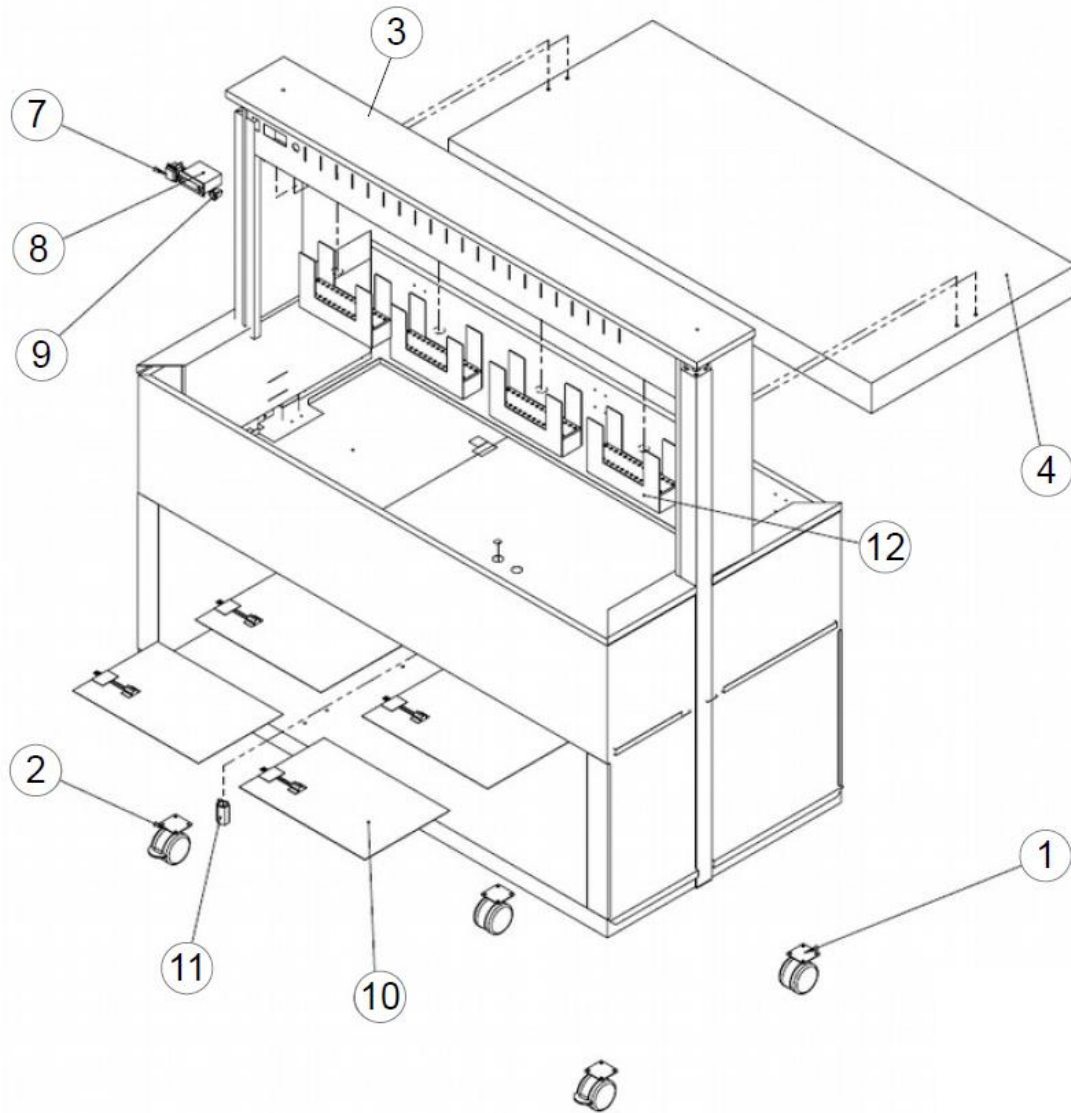
Ref.	Quantity			Description
	Athena 3 BM / PC	Athena 4 BM / PC	Athena 5 BM / PC	
Opt. 3	1-2*	1-2*	1-2*	Dish holder short side
Opt. 4	1-2*	1-2*	1-2*	Lower cabinet closure
Opt. 6	1- 2	1-2	1-2	Tip-up dish-holder long side
Opt. 7	1-2*	1-2*	1-2*	Tube structure long side dish holder
Opt. 9	1-2*	1-2*	1-2*	Long dish holder short side

Please, do always mention the model of your reference.

## 7. Spare Parts



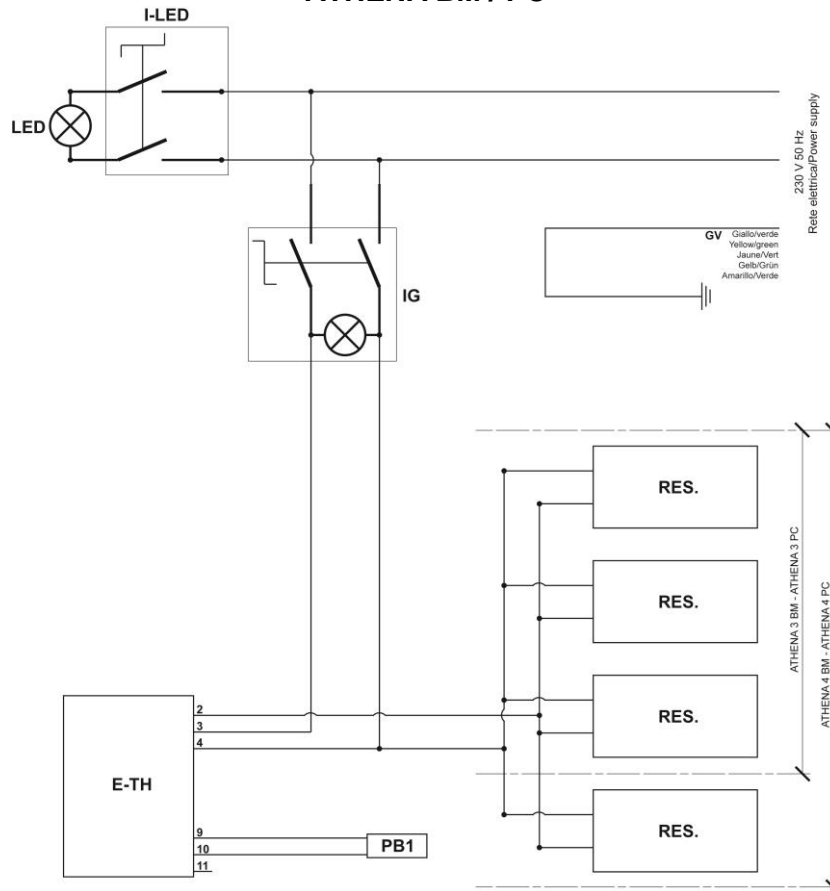
## ATHENA BM HALO / PC HALO



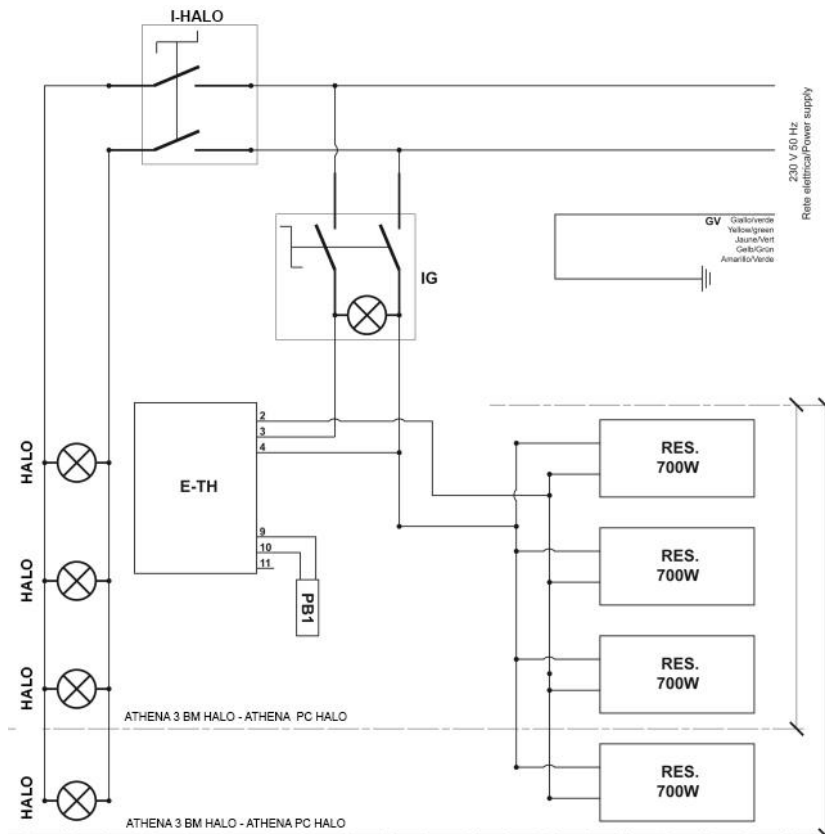
Ref	Code	Description			
		3 BM 3 PC	4 BM 4 PC	5 BM 5 PC	
1	RS	3	3	4	Standard castor Ø75mm
2	RF	2	2	2	Castor Ø75mm with brake
3		1	1	1	Wood top shelf*
4		1	1	1	Plexiglass sneezeguard*
5		1	1	1	LED light*
6		1	1	1	LED transformer
7		1	1	1	General switch
8		1	1	1	Digital thermostat
9		1	1	1	Switch
10		3	4	4	Adhesive heating element
11		1	1	1	Drain cock
12		2	3	4	HALO lamp ASSEMBLY

# 8. Wiring diagrams

## ATHENA BM / PC



## ATHENA BM HALO / PC HALO





<b>Ref.</b>	<b>Description</b>
E-TH	Digital Thermostat
IG	General switch
RES.	Heating elements
LED	LED lamp
I-LED	LED switch
PB1	Well probe
HALO	HALO lamps
I-HALO	HALO lamps switch

## 9. Troubleshooting

<b>Problem</b>	<b>Possible Reasons</b>	<b>Solutions</b>
The trolley does not heat	Power failure	Check the presence of electricity in the socket
	The thermostat has been tampered with or it is broken	Check the thermostat regulation or contact the retailer
	The power cable is worn out	Replace the cable with a suitable one
	One or more heating elements are burned	Contact the retailer
The LED lamp does not light up	The LED is burned	Contact the retailer
	The transformer is burned	Replace with a transformer with same characteristic or contact the retailer
HALO lamps don't work	1 or more lamps are broken	Replace with new lamps with same characteristic (300 W)

## 10. Disposal



The device must be disposed according to the local regulations and, where possible, it is necessary to unmount it and differentiate the various components.. The packing elements (plastic, foam, bubble wrap, styrofoam, cardboard, etc..) must be kept away from children as potential danger and have to be collected and disposed separately according to the local regulations.

This marking shown on the product or its literature, indicates that it should not be disposed with other household wastes at the end of its working life. To prevent possible harm to the environment or human health from uncontrolled waste disposal, please separate this from other types of wastes and recycle it responsibly to promote the sustainable reuse of material resources. Household users should contact either the retailer where they purchased this product, or their local government office, for details of where and how they can take this item for environmentally safe recycling. Business users should contact their supplier and check the terms and conditions of the purchase contract. This product should not be mixed with other commercial wastes for disposal.